



RELIABLE ENGINEERING STORES

(HANDOUT CATALOGUE)



Toggle Clamps, Latches, Hydraulic Clamps, Pneumatic Clamps.



Standard Fixturing Components



Operating Parts, Standard Elements



Reliable Engineering Stores was founded in 1975 as a distribution & trading company operating in work-holding and assembly technologies.

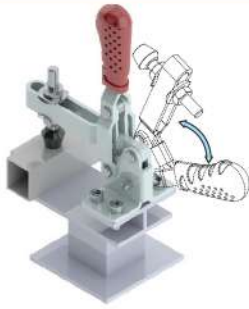
HEAD OFFICE:

101. United Shopping Complex,
94. Dr. Nanjappa Road,
Coimbatore - 641 018.

BRANCH:

107. 108. Thottarayan Kovil Street,
Kattoor, Coimbatore - 641 009.
Tamil Nadu, INDIA.





As the name implies clamps of this type hold the work piece with a downward clamping action. These clamps are manufactured with a holding capacity up to 3000 kgs. The clamping exhibits a minimum of 90o opening angle giving full clearance for loading & unloading of workpiece. Clamping arm can be solid bar, U shaped or fixed hole to suit individual requirements

VTC-Series
Heavy Duty Clamps-Angle Base

Model No.	Holding Capacity	Dimensions					
		A	B	C	D	E	F
VTC-6561-A	4.90 kN	203	105	65	45	85	60
VTC-120132-A	9.80 kN	297	207	120	75	92	132

VTC-Series
Medium Duty Clamps-Flanged Base

Model No.	Holding Capacity	Dimensions					
		A	B	C	D	E	F
VTC-1625-UB	0.50 kN	86	56	16	25	33	31
VTC-2535-UB	1.00 kN	129	75	25	30	38	45
VTC-3050-UB	1.50 kN	145	85	30	35	46	50
VTC-3670-UB	2.00 kN	180	115	36	35	58	80
VTC-4595-UB	3.90 kN	205	151	45	45	82	105
VTC-50125-UB	3.40 kN	210	183	50	45	72	138
VTC-85150-UB	5.90 kN	350	237	85	75	90	162

VTC-Series
Medium Duty Clamps-Front Mounting Base

Model No.	Holding Capacity	Dimensions					
		A	B	C	D	E	F
VTC-6440-UB-FM	1.00 kN	167	75	63.5	35	42	40
VTC-7273-UB-FM	2.00 kN	217	119	72	35	58	74
VTC-8296-UB-FM	4.90 kN	244	151	82	51	51	95

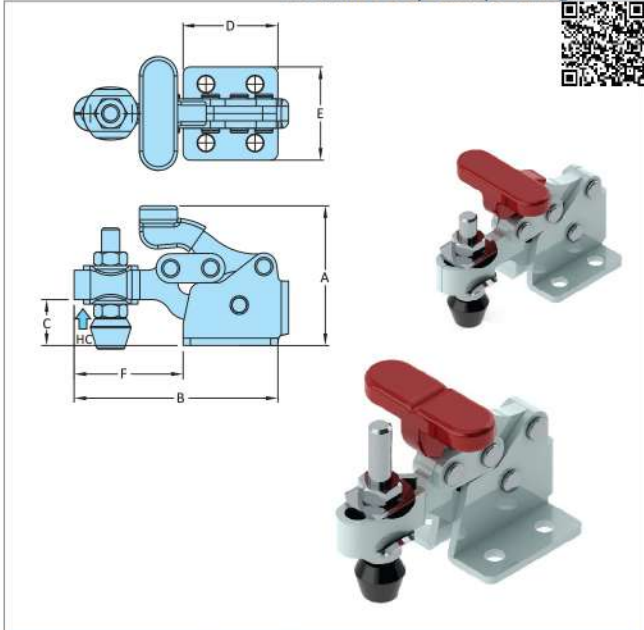
VTC-Series
Medium Duty Clamps-Straight Base

Model No.	Holding Capacity	Dimensions				
		A	B	C	D	F
VTC-2535-UB-BS	1.00 kN	140	75	36	30	45
VTC-3670-UB-BS	2.00 kN	201	115	57	35	80
VTC-4595-UB-BS	3.90 kN	235	151	75	45	106
VTC-50125-UB-BS	3.40 kN	235	240.5	76	45	138
VTC-85150-UB-BS	5.90 kN	377	358	116	76	162

The holding action in these types of Toggle Clamps is same as VTC-Series clamp. The outstanding characteristic is the low height design. Unlike the handle & the clamping bar of the VTC-Series, these of the H-Series clamps move in opposite direction. The holding capacities range upto 1,000 kgs. The clamping arm can be solid bar, U shaped or fixed hole type.

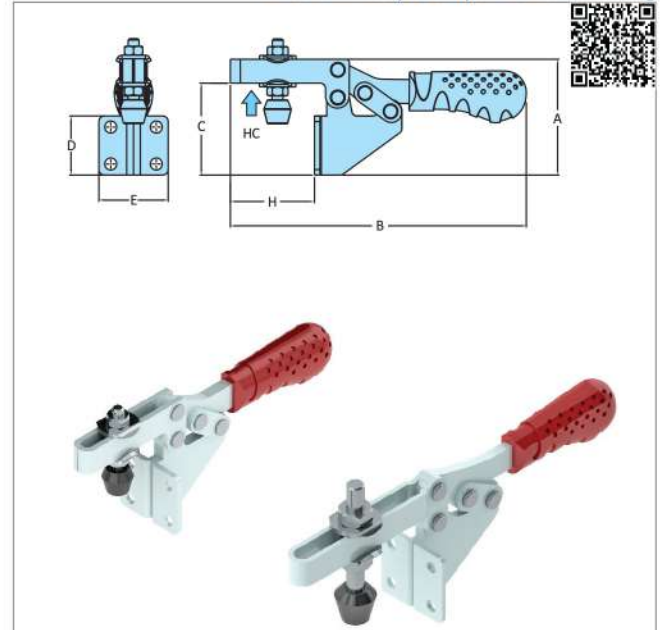


H-Series
Medium Duty Clamps-Flanged Base



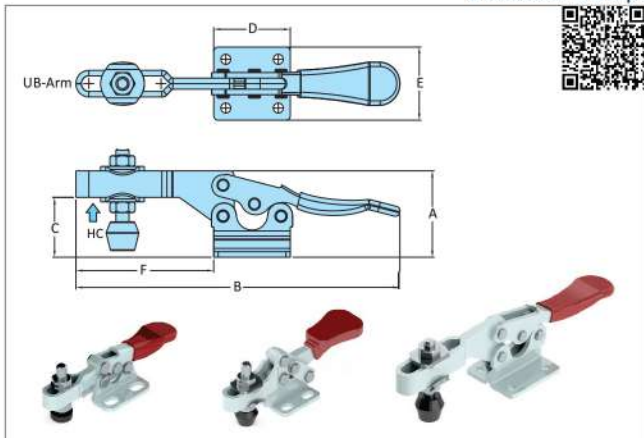
Model No.	Holding Capacity	Dimensions					
		A	B	C	D	E	F
H-305-U	0.50 kN	38	56.1	12.5	26.1	25.4	30
H-307-U	1.40 kN	66	88.6	23.5	43.6	46.6	45
H-309-U	3.40 kN	91.2	131.6	33.3	64	62.7	67.6

H-Series
Medium Duty Clamps-Front Mounting



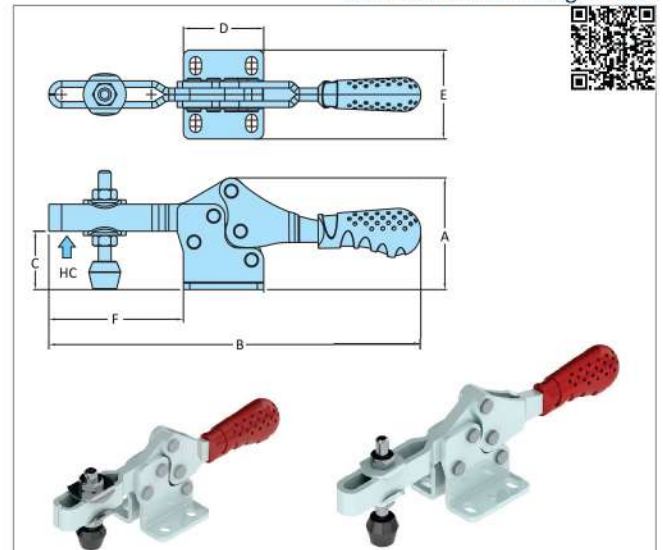
Model No.	Holding Capacity	Dimensions					
		A	B	C	D	E	F
H-4835-UB-FM	2.40 kN	63	162	50	32	38	46
H-6090-UB-FM	2.70 kN	79	240	60	42	46	90

H-Series
Miniature Clamps

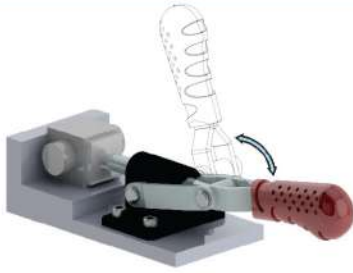


Model No.	Holding Capacity	Dimensions					
		A	B	C	D	E	F
H-205-U	0.30 kN	17.5	69	7.9	16	23.7	23
H-1323-UB	0.50 kN	30	85	13	16	22	28.5
H-2123-UB	0.50 kN	30	85	21	16	22	28.5
H-2050-UB-CL	2.00 kN	54.5	182	20.3	32	38.6	60
H-2452-UB	2.40 kN	37	157	24	42	56	52
H-2655-UB	1.40 kN	39	148	27	35	33	63
H-3665-UB	2.40 kN	49	175	36	44	40	70
H-45105-UB	3.40 kN	68	275	45	57.2	55	112
H-57126-UB	4.90 kN	82	322	55	65	62	145

H-Series
Safe Series U Bar Flanged Base

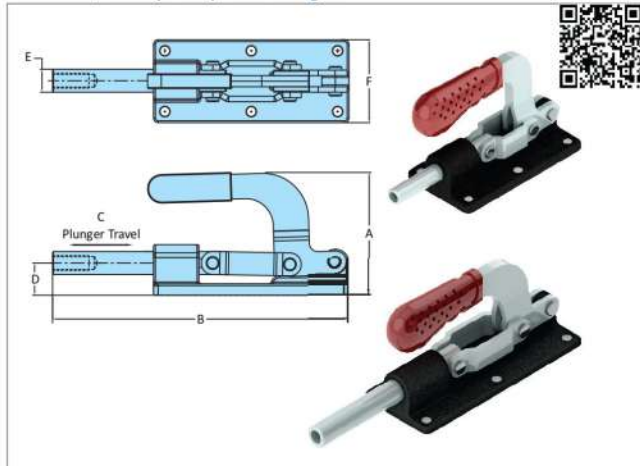


Model No.	Holding Capacity	Dimensions					
		A	B	C	D	E	F
H-213-U	0.70 kN	36	111	19.5	25.5	28	39.5
H-217-U	1.00 kN	52	174	27	37.6	41.1	63
H-227-U	2.20 kN	62	210	34	39.6	44	72
H-237-U	3.40 kN	80	282	44	57.20	58	106.5
H-245-U	4.40 kN	109	329	58	66.8	68.6	128



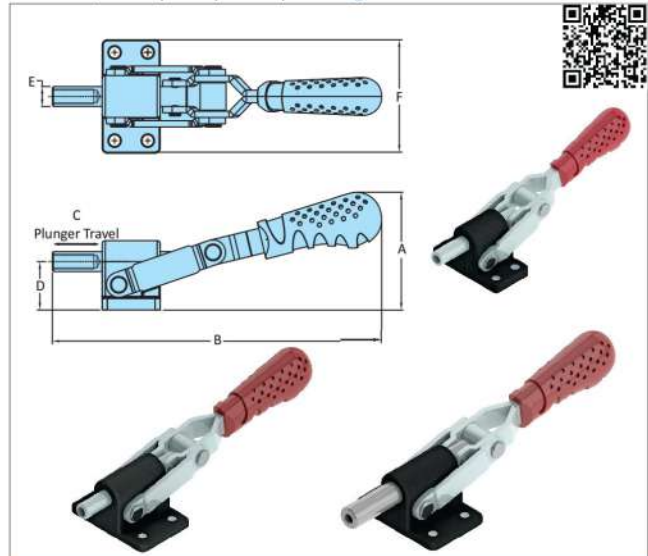
The straight line action toggle clamps design uses a straight-line or push/pull, Toggle clamping action. The push/pull handle is easy to operate & moves the plungers of the clamp in and out along its axis. Most of these clamps can be locked in two positions, allowing you to use them as either push or pull clamps. These clamps are manufactured in a variety of models to accommodate a wide range of load ratings. (45 kgs - 4,500 kgs)

HTC-Series
Medium/Heavy Duty-Low Height



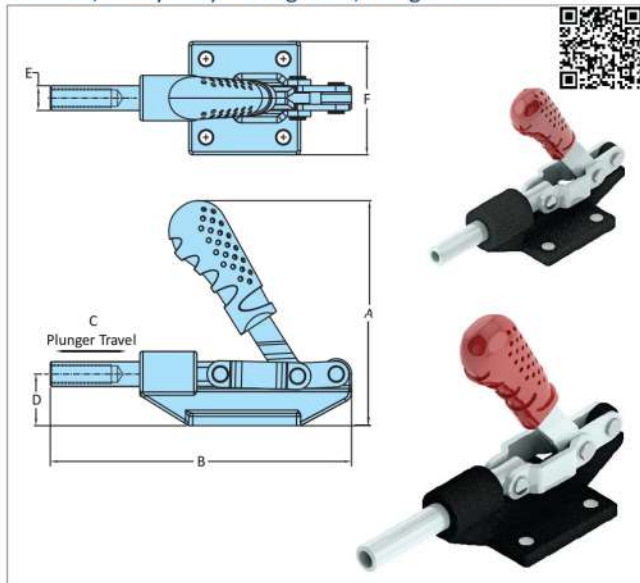
Model No.	Holding Capacity	Dimensions					
		A	B	C	D	E	F
HTC-1220	0.50 kN	43	74	20	12	6	27
HTC-1216-LH	1.30 kN	46	73	20	12.5	9.5	32
HTC-1530-LH	2.00 kN	56	110	29	15	9	51
HTC-2040-LH	5.90 kN	86	151	40	20	12	60
HTC-2550-LH	7.80 kN	89	186	50	25	16	65
HTC-3075-LH	11.80 kN	106	277	75	30	20	75
HTC-35100-LH	19.60 kN	133	326	100	35	25	90
HTC-45150-LH	40.00 kN	141	464	150	45	25	80

HTC-Series
Medium/Heavy Duty Clamps-Flanged Base



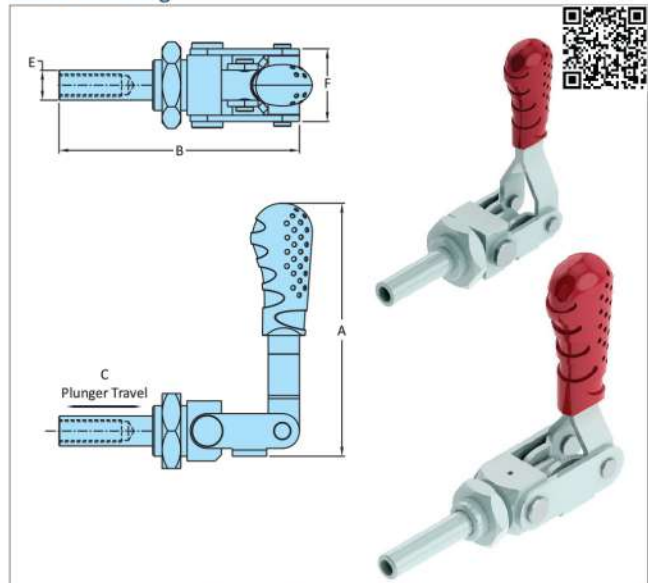
Model No.	Holding Capacity	Dimensions					
		A	B	C	D	E	F
HTC-2326	2.90 kN	56	158	24	23	9.5	54
HTC-3025	10.80 kN	64	230	25	30	12	75
HTC-3235	15.00 kN	64	248	44	30	16	75
HTC-3545	25.50 kN	85	299	46	35	20	78
HTC-5065	44.10 kN	122	384	85	50	25	100

HTC-Series
Medium/Heavy Duty-Package Size, Flanged Base



Model No.	Holding Capacity	Dimensions					
		A	B	C	D	E	F
HTC-1825-PS	1.00 kN	72	105	25	18	9	40
HTC-2530-PS	2.90 kN	109	148	34	25	12	55
HTC-3540-PS	3.90 kN	117	180	40	35	16	61
HTC-4560-PS	6.90 kN	154.5	233	60	45	20	75

HTC-Series Clamps
Front Mounting



Model No.	Holding Capacity	Dimensions				
		A	B	C	E	F
HTC-190-FM	0.50 kN	80	77	24	9.5	26
HTC-350-FM	1.00 kN	103	107.5	37	12	31
HTC-500-FM	1.50 kN	124	140	39	12	35
HTC-600-FM	3.40 kN	154	172	60	16	44

Steel-Smith's Pull Action Clamps are designed for sealing chambers, doors, mould closures or other such applications requiring closure mechanisms. The handle can be moved to place the clamping U - Bolt Bar hook around the opposing latch & pull down to reach the lock position. The threaded "hook" or "U-bolt" type bar offer an adjustment feature. The clamps can withstand pressures from 150 kgs. to 3000 kgs.



Pull Action Clamps
PAH Series

Model No.	Holding Capacity	Dimensions					
		A	B	C	D	E	F
PAH-323	1.50 kN	84.5	4	57	26	28	20.3
PAH-1210	1.00 kN	98	4	90	26	30	20
PAH-1515	2.00 kN	128.5	5	110	35	45	25
PAH-1725	3.40 kN	142	6	130	41	45	33.5
PAH-2445	9.30 kN	193	8	145	60	60	40
PAH-3062	29.40 kN	218.5	11	165	80	85	55

Pull Action Clamps
PAH Series

Model No.	Holding Capacity	Dimensions					
		A	B	C	D	E	F
PAH-25-1000	2.00 kN	121	5	110	55	19	28
PAH-35-2000	3.40 kN	121	6	130	55	21	28
PAH-45-4000	19.60 kN	180	8	145	78	31	45

Pull Action Clamps
PA Series

Model No.	Holding Capacity	Dimensions					
		A	B	D	E	Q Min	Q Max
PA-1010	0.70 kN	113	6	26	38	20	28
PA-2056	3.90 kN	180	8	40	55	45	52
PA-3580	2.00 kN	230	10	49	67	88	109
PA-4575	4.90 kN	276	12	54	85	91	108

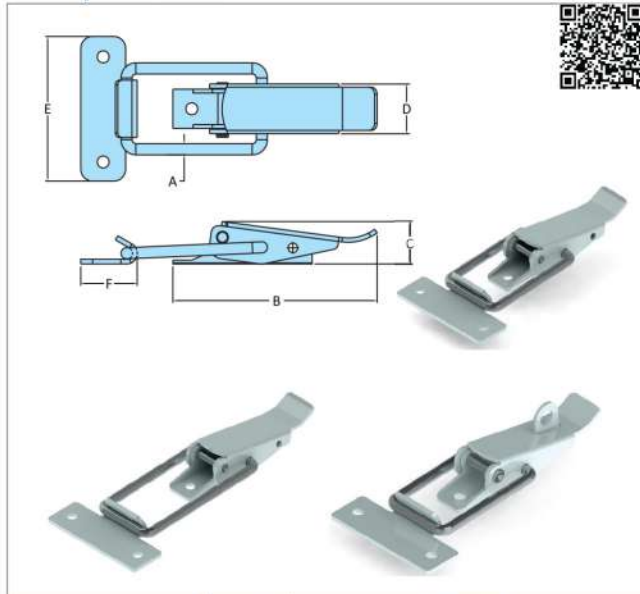
Pull Action Clamps
With Additional Locking Mechanism

Model No.	Holding Capacity	Dimensions					
		A	B	C	D	E	F
PAH-331-TRIG	3.20 kN	128.5	5	85	57	45	25
PAH-341-TRIG	8.80 kN	179	8	115	60	54.1	38
PAH-5271-TRIG	3.40 kN	150	6	130	41.3	45	33.5
PAH-5442-TRIG	9.30 kN	192	8	145	60	60	40
PAH-2603-TRIG	17.60 kN	213	11	165	85	80	55
PAH-323-TRIG	1.50 kN	84.5	4	57	26	28	20.3



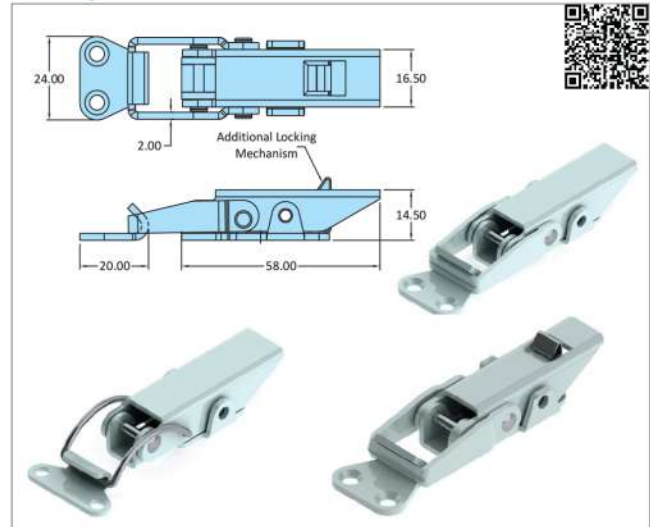
Steel-Smith offers a wide variety of Latches in Steel and Stainless-Steel which are suitable for sealing lids, chambers, doors & any other application which requires closures. The latches are available with fixed Bolts or U-Bolts with threaded adjustment. Most of the latches are also available with additional locking mechanism or padlock feature.

Medium Duty
Non-Adjustable Latch



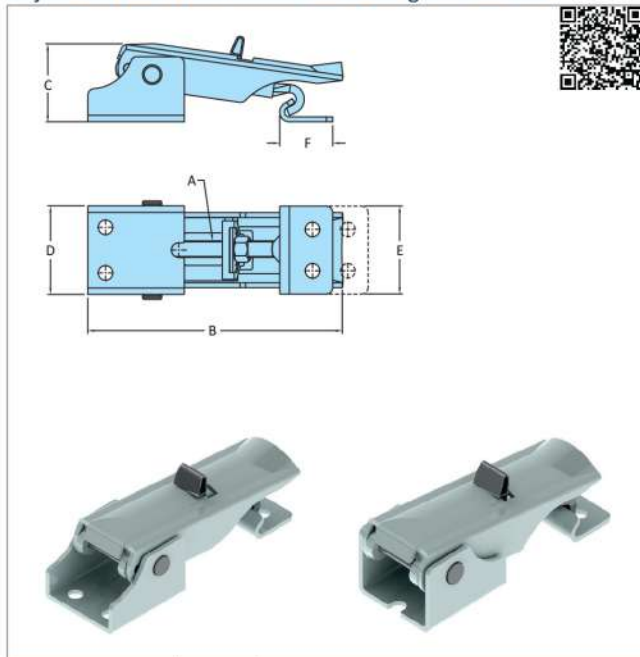
Model No.	Holding Capacity	Dimensions					
		A	B	C	D	E	F
PAH-30-502	4.40 kN	4.7	86.5	18	20.8	60.5	19
PAH-30-570	4.40 kN	4.7	86.5	18	20.8	60.5	19
PAH-30-588LP	4.40 kN	4.7	86.5	18	20.8	60.5	19
PAH-30-590	4.40 kN	4.7	86.5	18	20.8	60.5	19

Medium Duty
Non-Adjustable Latch



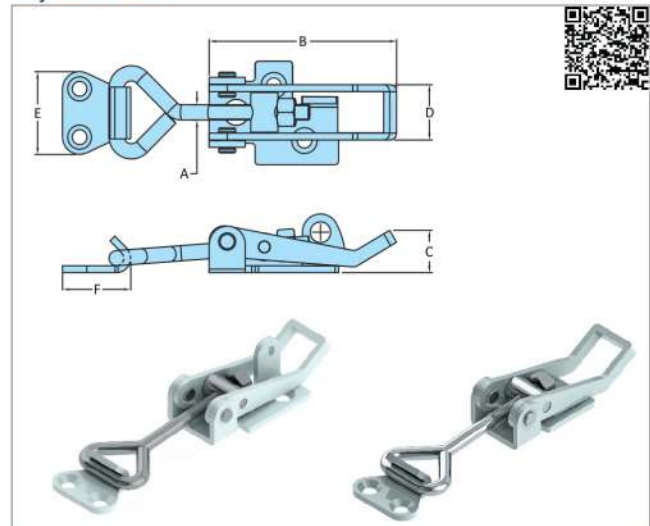
Model No.	Holding Capacity	Dimensions					
		A	B	C	D	E	F
PAH-27-1123	2.00 kN	2	58	14.5	16.5	24	20
PAH-27-633	0.90 kN	3	57	14	16.5	30	14
PAH-27-1620	0.90 kN	3	57	14	16.5	30	14
PAH-27-1900-TRIG	2.00 kN	2	58	14.5	16.5	24	20
PAH-27-1570-TRIG	0.90 kN	3	57	14	16.5	30	14
PAH-27-1750-TRIG	0.90 kN	3	57	14	16.5	30	14

Medium Duty
Adjustable Latch with Additional Locking Mechanism



Model No.	Holding Capacity	Dimensions					
		A	B	C	D	E	F
PAH-CT-21227	0.80 kN	M5 X 0.8P	79	24	27.2	27	16.5
PAH-CT-21237	0.80 kN	M5 X 0.8P	69	24	27.2	27	16.5

Medium Duty
Adjustable Latch

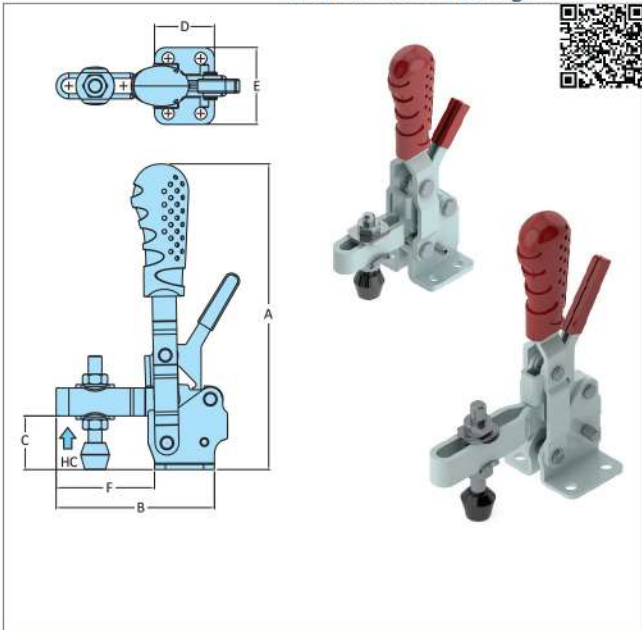


Model No.	Holding Capacity	Dimensions					
		A	B	C	D	E	F
PAH-CT-0212	0.70 kN	4.4	55	11	16	24	20
PAH-CT-0222	0.90 kN	5.3	67	16	20	30	22
PAH-CT-0232	1.00 kN	7	98	19.5	30	45	29
PAH-CT-0210	0.70 kN	4.4	55	12.5	16	24	20
PAH-CT-0220	0.90 kN	5.3	67	17	20	30	22
PAH-CT-0230	1.00 kN	7	98	19.5	30	45	29

Steel-Smith introduces its latest range of clamps with Additional Locking Mechanism, this mechanism ensures that the clamp remains locked in any condition. In order to unclamp, the mechanism must be first released. In the Vertical Series this mechanism will hold the clamping arm in both the closed and open positions, so that it is protected against unintentional opening or closing through vibration or if the clamp is mounted overhead.

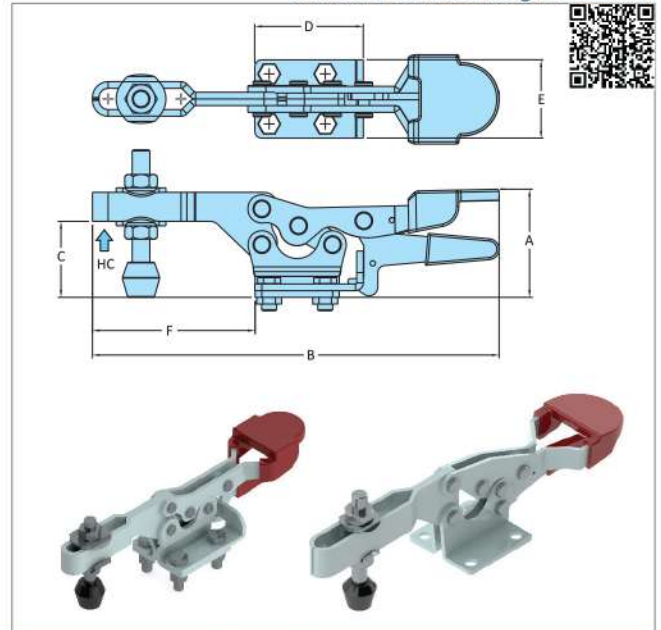


Vertical Hold Down Action With Additional Locking Mechanism



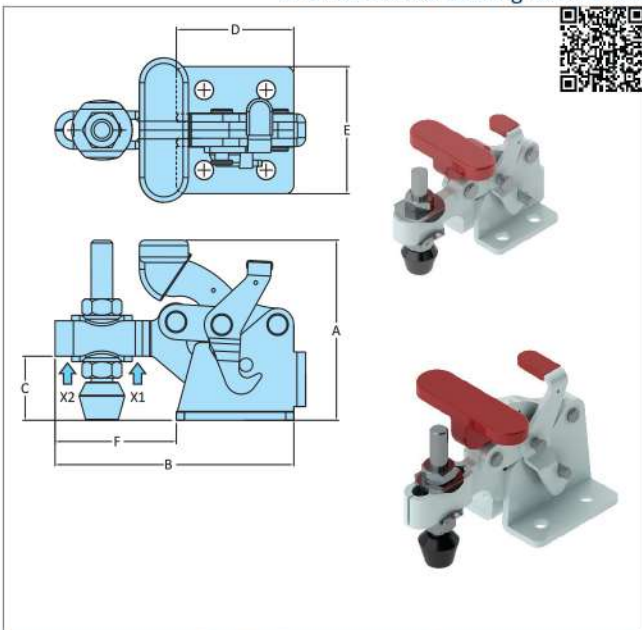
Model No.	Holding Capacity	Dimensions					
		A	B	C	D	E	F
VTC-2535-UB-TRIG	1.00 kN	129	75	25	30	38	45
VTC-207-U-TRIG	1.70 kN	177	92.6	31	35.1	44.5	57.5
VTC-210-U-TRIG	2.70 kN	199	139.6	42	48.6	64.4	91

Horizontal Hold Down Action With Additional Locking Mechanism



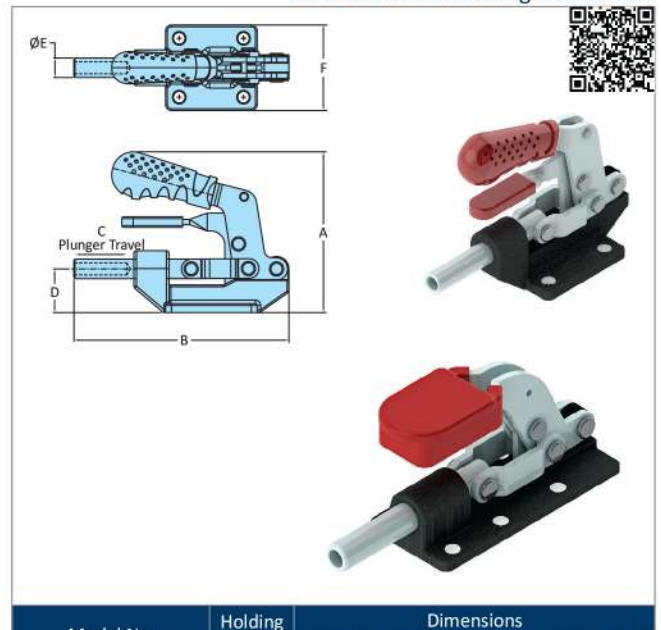
Model No.	Holding Capacity	Dimensions					
		A	B	C	D	E	F
H-215-U-TRIG	1.00 kN	37	160.5	26	44	35	63
H-225-U-TRIG	2.20 kN	48	184	34	49	35	73.5
H-235-U-TRIG	3.40 kN	64	271	43	57.2	57.2	115

Horizontal Hold Down Action With Additional Locking Mechanism

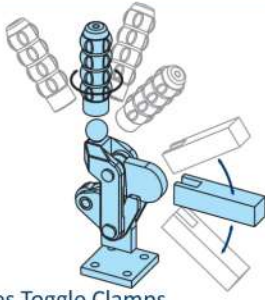


Model No.	Holding Capacity	Dimensions					
		A	B	C	D	E	F
H-305-U-TRIG	0.50 kN	38	56	12.5	26.1	25.4	30
H-307-U-TRIG	1.40 kN	66	88.6	23.5	43.6	46.6	45
H-309-U-TRIG	3.40 kN	91.2	131.6	33.3	64	62.7	67.6

HTC Series Clamps With Additional Locking Mechanism



Model No.	Holding Capacity	Dimensions					
		A	B	C	D	E	F
HTC-603-PS-TRIG	2.90 kN	90	122	32	24.5	11	48
HTC-608-PS-TRIG	3.90 kN	109	154	41	32	15.82	57
HTC-607-LH-TRIG	5.90 kN	76	153	41	17.7	12.7	56
HTC-630-LH-TRIG	7.80 kN	82	180	51	20.5	15.8	58



Steel-Smith has designed the Automotive clamps to be adaptable & durable, and to withstand abuse in heavy duty applications. They are ideally used in automotive manufacturing & other production environment which requires high clamping forces & long service life. These clamps have a unique design that offers the designer both complete design flexibility & clamping force. The clamping arm & handle which are provided with the clamp can be welded at the desired angle to suit the individual requirements of work pieces.

H.V. Series Toggle Clamps
Swivel Base

Clamp is supplied in separate parts

Model No.	Holding Capacity	Dimensions					
		A	B	C	D	E	F
HV-BII-100	2.00 kN	85	30	59	35	6	50
HV-BII-200	4.90 kN	106	40	76	45	6	75
HV-BII-300	6.90 kN	127	53	90	50	8	90
HV-BII-500	11.80 kN	149	58	107.5	63	10	100
HV-BII-1000	24.50 kN	182	74	136	75	10	125

H.V. Series Toggle Clamps
Straight Base

Clamp is supplied in separate parts

Model No.	Holding Capacity	Dimensions					
		A	B	C	D	E	F
HV-BII-100-BS	2.00 kN	98	30	70	30	6	50
HV-BII-200-BS	4.90 kN	130	40	99	46	4	75
HV-BII-300-BS	6.90 kN	158	53	122	50	5	90
HV-BII-500-BS	11.80 kN	176	58	134.5	53	6	100
HV-BII-1000-BS	24.50 kN	217	74	177	66	6	125

H.V. Series Toggle Clamps
Straight Base-Horizontal Arm

Model No.	Holding Capacity	Dimensions					
		A	B	C	D	E	F
HV-700-H	6.90 kN	243	135	70	45	10	55
HV-1200-H-TM-TU	11.80 kN	298	160	98	50	12	70
HV-2400-H-TM-TU	23.50 kN	336	189	121	63	16	85

H.V. Series Toggle Clamps
Straight Base-Vertical Arm

Model No.	Holding Capacity	Dimensions					
		A	B	C	D	E	F
HV-700-V	6.90 kN	243	70	56	45	10	62
HV-1200-V-TM-TU	11.80 kN	298	98	76	50	12	82
HV-2400-V-TM-TU	23.50 kN	336	121	88	63	16	93.5

Pneumatic Clamps



Hold Down Action
Pneumatic Clamps



Hold Down Action
Pneumatic Clamps



H.V. Series
Pneumatic Clamps



Hold Down Action Clamps
Fixed Cylinder



Hold Down Action Clamps
Right Angle



SSC Series
Pneumatic Clamps



Swing Clamps



Pneumatic Swing Clamp
Threaded Body Model



Pneumatic Swing Clamp
Lower Flange Version



Pneumatic Swing Clamp
Upper Flange Version



Pneumatic Swing Clamp
Block Version



Hydraulic Swing Clamp
Lower Flange Version



Pneumatic Link Clamps
Upper Flanged Version





Leveling pad is a machinery device that's used to level the object or machine on which it's installed. Steel-Smith has launched a variety of Leveling Pads such as Anti-Skid, Swivel, Non-Swivel, Technopolymer Plastic Base, and POM Base Pads. Depending on the application and load capacity, you can find leveling pads that are made from different materials.

Heavy Duty Leveling Pads



Features	
Thread Type	Internal or External
Base Type	Steel or Anti Skid
Max. Capacity for Static Load	10 to 65 kN
Available Finishes	Black ED Coating or Electro-Polished
Swivel Degree	15° Max

Light & Medium Duty Leveling Pads



Features	
Thread Type	External
Base Type	Steel or Anti Skid
Max. Capacity for Static Load	2.90 kN
Available Finishes	White Zinc Plating or Electro-Polished
Swivel Degree	5° Max

Technopolymer Plastic Base Leveling Pads



Features	
Thread Type	Internal or External
Base Type	Polyamide Glass Fibre reinforced
Max. Capacity for Static Load	10 to 12 kN
Available Finishes	White Zinc Plating or Electro-Polished
Swivel Degree	15° Max

Fixed Leveling Pads



Features	
Thread Type	External
Base Type	POM
Max. Capacity for Static Load	6.70 kN
Available Finishes	White Zinc Plating or Electro-Polished
Swivel Degree	Fixed Type

Squeeze Action Clamps



Toggle Pliers
TP Series



Toggle Pliers
TP Series



C-Jaw Plier
V.G.Series



Hold Down Action Clamps
Fixed Cylinder



C Jaw Plier
V.G.Series



Flat Jaw Plier
V.G.Series



F-Clamps



F Clamps
with Wooden Handle



F Clamps
with Tommy Bar Handle



F Clamps with Tommy Bar
Handle & Removable Adapter



Extra Heavy Duty F Clamps with
Tommy Bar Handle & Removable Adapter





Screwless! Time Saving! ONE-TOUCH FASTENERS



Alternatives To Screws



Application Example

Change of star wheel guides	Change of holder plates	Change of conveyor retainers

Lineup

<p>QUARTER-TURN CLAMPS Easy-to-read ON/OFF position</p>	<p>QUARTER-TURN CLAMPS No interference by retractable shank</p>	<p>HEAVY DUTY QUARTER-TURN CLAMPS Clamping force 400N</p>	<p>RETRACTABLE HEAVY DUTY QUARTER-TURN CLAMPS Clamping force 400N Retractable shank</p>
--	--	--	--

Easy! Secure!

Kaizen for Frequent Setups!

<p>KNOB-LOCKING PINS Secure clamping with wedge</p>	<p>BUTTON-LOCKING PINS Securely locked upon releasing button</p>	<p>PIN HOLDING CLAMPS Pin clamping design enables space-saving application</p>	<p>SNAP-IN CLAMPS Quick & easy snap-in operation</p>
<p>HOLE HOLDING CLAMPS No need for receptacle</p>	<p>BALL-LOCK CLAMPS Compact & safety mechanical lock</p>	<p>MAGNET-LOCK CLAMP Compact & instant magnetic attachment</p>	<p>SHAFT COUPLING CLAMP Multipurpose coupling element</p>



QLSWC
Swing Clamps



QLSWC
Swing Clamps
with
Cam Handle



QLSWC
Swing Clamps
with
Adjustable Handle



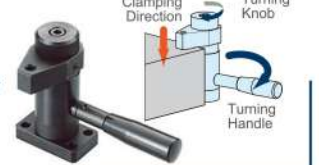
QLSWC
Swing Clamps
For
Torque Control



QLSW
Swing Clamps



QLSWH
Swing Clamps
(Heavy)



QLRE
Retractable
Clamps with
Cam Handle



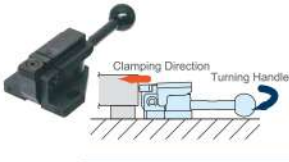
QLRE
Retractable
Clamps with
Adjustable Handle



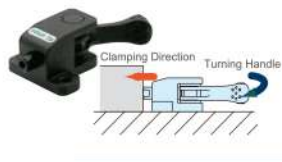
QLRCF
Thrust Clamps
(Vertical)



QLSC
Side Clamps



QLCP
Cam Push
Clamps



QLSCH
Cam Edge
Clamps



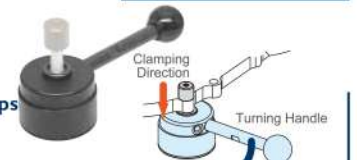
QLSCL
Low-Profile Cam
Edge Clamps



QLRC
Thrust Clamps



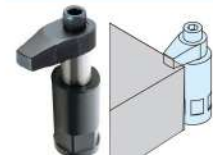
QLPD
Pull Clamps



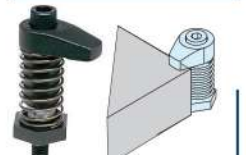
QLPDH
Pull Clamps
(Heavy)



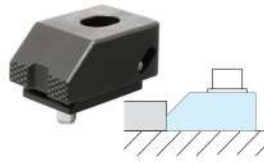
BJ130-A
Hook-Clamp
Assemblies



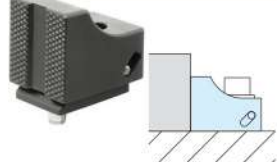
BJ131
Hook Clamps



CP106
Toe Clamps



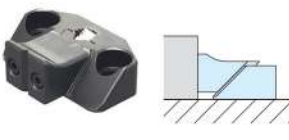
CP107
Side Clamps



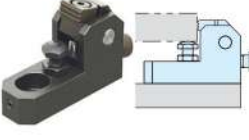
CP104
Toe Clamps



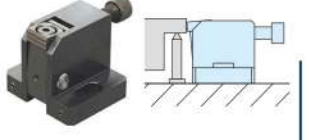
CP105
Side Clamps



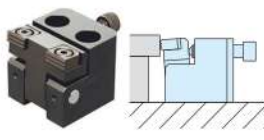
CP100
Side Clamps



CP101
Side Clamps



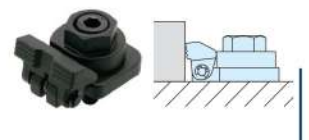
CP102
Wide-Jaw
Side Clamps



BJ161
Cam Clamps



BJ162
Cam Edge
Clamps



CP120
OD Holding
Clamps



CP123
OD Holding
Clamps



CP130
ID Holding
Clamps





Clamping Levers, Tension Levers,
Cam Levers



Grips, Knobs



Pull Handles, Tubular Handles,
Recessed Handles



Hinges



Spring Plungers



Indexing Plungers



Ball Lock Pins



Support Elements,
Locking Elements, Stop Elements





Handwheels, Crank Handles,
Position Indicators



Quarter-Turn Locks



Swivel Feet, Levelling Feet



Telescopic slides



Machine, Fixture Components
& Clamping Devices



Material Handling



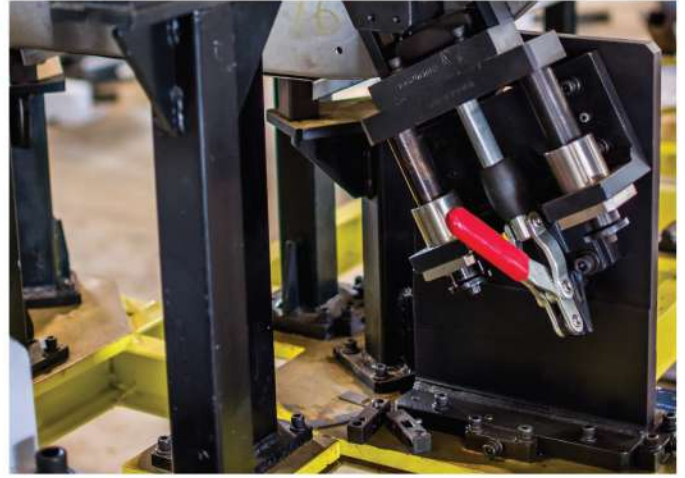
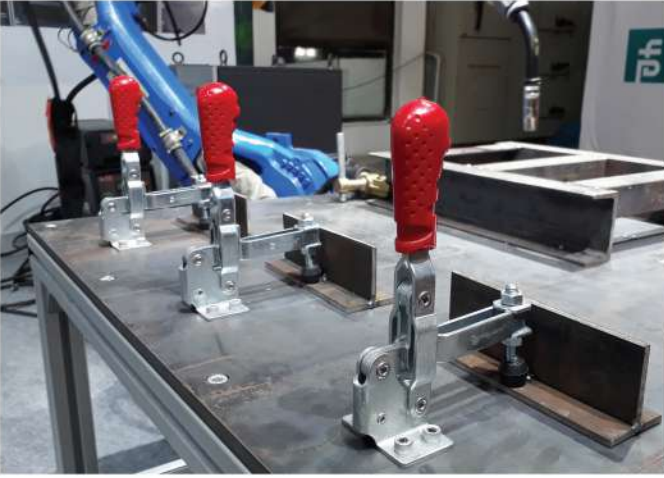
Joints



NOVOnox hygienic



Applications



Distributed by -



BRANCH : 107. 108. Thottarayan Kovil Street,
Kattoor, Coimbatore - 641 009.
Tamil Nadu, INDIA.

EMAIL : precisionh@gmail.com

PHONE NUMBER : +91 9894030534, +91 8056996041